



JOB:
ITEM:
QTY:

98195-DOUBLE STEAM TABLE PAN DOLLY

Application:

This dolly is to be used with steam table pans. It is doublewide to transport a high quantity of pans from one place to another.

Material:

The base is constructed out of 1 1/2" x 1 1/2" x .070" wall tubing, uprights are constructed out of 1" x 1" x .070" wall tubing, base is covered with .080" aluminum sheet.

Casters:

This dolly is equipped with four 5" platform type casters. Non-marking wheels protect floors and minimize noise. Caster plates are securely welded to the frame of this dolly and casters are then bolted to the caster plate, not directly to the frame, with four bolts. This procedure strengthens the overall integrity of the rack and prevents breakage.

Guaranteed to Last:

Guaranteed to last, this dolly carries a **Lifetime Guarantee** against rust and corrosion as well as a **Five-Year Guarantee** against material defects and workmanship.

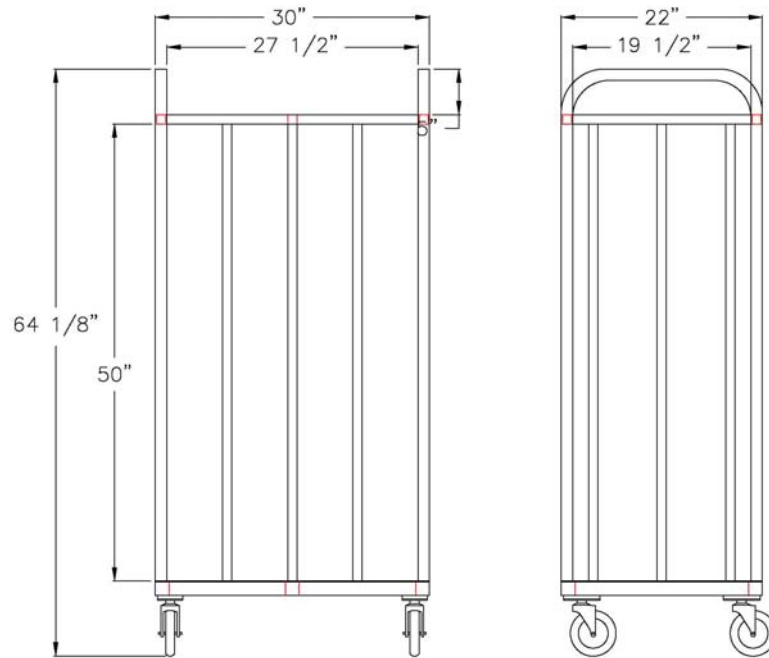


Model #98195



Phone: 800-255-0104
Fax: 877-877-7687
www.newageindustrial.com
sales@newageindustrial.com

New Age Industrial reserves the right to modify or make changes at any time without notice to materials and specifications.



Model #98195

Model No.	Size-W	Size-H	Size-D	No. of Bays
98195	30"	64"	22"	2



Phone: 800-255-0104
 Fax: 877-877-7687
www.newageindustrial.com
sales@newageindustrial.com

New Age Industrial reserves the right to modify or make changes at any time without notice to materials and specifications.