

Project: _____

Item: _____

Quantity: _____

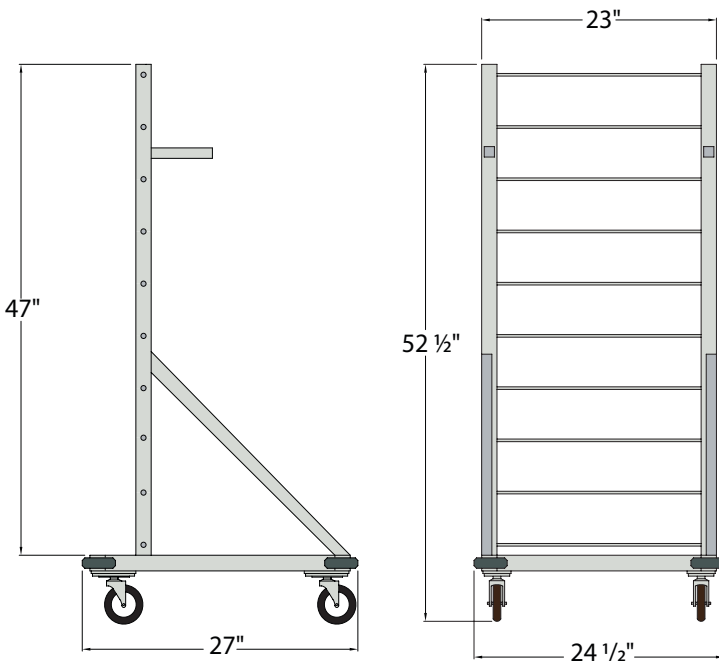
Mobile Fry Cart



1215

These carts are specifically designed to hold fry baskets in or out of the freezer. Available in double or triple basket widths.

- Baskets hang on laterals that are constructed of $\frac{3}{8}$ " diameter aluminum rod.
- Framework is constructed of 1 $\frac{1}{4}$ " x 1 $\frac{1}{4}$ " x .070" wall tubing.
- Removable drip pan is constructed of .063" aluminum sheet.
- Corners are fitted with bumpers to protect walls and equipment.
- Equipped with four 3" platform type swivel casters.
- Five-Year Guarantee against material defects and workmanship.
- Lifetime Guarantee against rust and corrosion.
- NSF Certified.



► Mobile Fry Cart

Model No.	Size W-H-D	Basket Capacity	Ship Lbs.
1210	18" x 52 $\frac{1}{2}$ " x 27"	18	29
1215	24 $\frac{1}{2}$ " x 52 $\frac{1}{2}$ " x 27"	27	34

Corner bumpers and removable drip pan are standard.
Four 3" plate type swivel casters (#C410).



New Age Industrial Corp., Inc. || NewAgeIndustrial.com || Made in the USA

PO Box 520 • 16788 US Hwy 36 • Norton, Kansas 67654 || Phone: (800) 255-0104 • (785) 877-5121 || Fax: (877)-877-7687 • (785) 877-2616

This information is for general sales and engineering use only. New Age Industrial reserves the right to modify or make changes at any time, without notice, to materials and specifications.