

Project: _____

Item: _____

Quantity: _____

Mixer Bowl Dolly

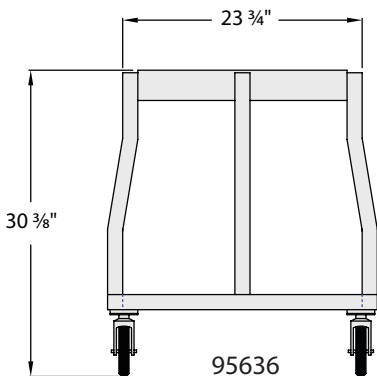
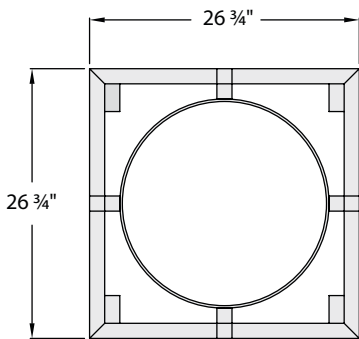


95636



Designed to make rolling heavy mixing bowls in and out of place an easy task, this rust proof unit is ideal for the kitchen/prep room atmosphere.

- Frame is constructed of 1½" square tube with four 1½" square tubing legs welded to a ¼" x 3" strap to hold the bowl in place.
- Equipped with four 5" platform type swivel casters.
- Five-Year Guarantee against material defects and workmanship.
- Lifetime Guarantee against rust and corrosion.
- NSF Certified.



95636

► Bowl Dolly

Model No.	Size W-H-D	Ring Diameter	Quart Size	Ship Lbs.
Mixer Bowl Dolly - NSF Certified				
95636	26¾" x 30⅜" x 26¾"	20¼" I.D.	80	34
98736	24¾" x 30⅜" x 24¾"	18¼" I.D.	60	28
98737	29⅜" x 30⅜" x 29⅜"	22⅞" I.D.	140	29

Note: Unit Heights Do Not Include Bowls

Information is based on Hobart® mixing bowl sizes.

Four 5" plate type casters—two swivel (#C450) two w/ brake (#C455).

Options:

- Corner Bumpers (4)** - Add "B" suffix to model #.



New Age Industrial Corp., Inc. || NewAgeIndustrial.com || Made in the USA

PO Box 520 • 16788 US Hwy 36 • Norton, Kansas 67654 || Phone: (800) 255-0104 • (785) 877-5121 || Fax: (877)-877-7687 • (785) 877-2616

This information is for general sales and engineering use only. New Age Industrial reserves the right to modify or make changes at any time, without notice, to materials and specifications.