

Job: _____

Item: _____

Quantity: _____

Milk Crate Dolly

These dollies are specifically designed to store and transport 13" x 13" milk crates. This allows for more efficient transporting from the trucks to the coolers.

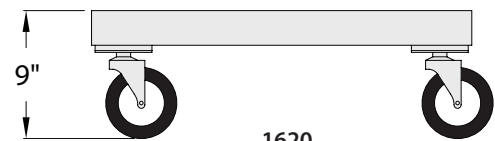
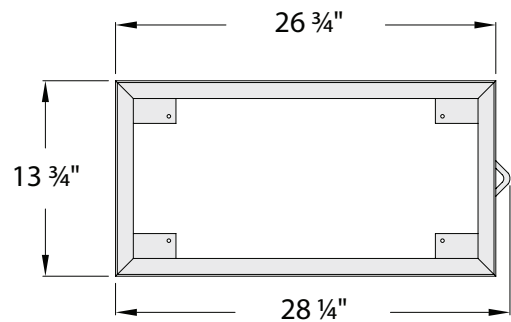
- Framework is constructed out of 1 1/4" x 1 1/2" x .070" wall tubing with a 1 5/16" leg to create a lip to hold crates in place.
 - The frame on the #1622 is reinforced with two supports that are 1 1/4" x 1 1/2" x .070" wall tubing.
- Equipped with four 5" platform type swivel casters.
- Five-Year Guarantee against material defects and workmanship.
- Lifetime Guarantee against rust and corrosion.



1622



1620



1620

Model No.	Size W-H-D	# Of Stacks	Crate Cap.	Ship Lbs.
1620	13 3/4" x 9" x 28 1/4"	2	8	19
1622	26 3/4" x 9" x 28 1/4"	4	16	22

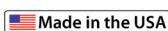
Four 5" swivel type platform casters (#C453).

Options:

"CL(B)" — see page 69 for details.

Aluminum Drag Hook			
1199	37 1/2" Long		1

This information is for general sales and engineering use only. New Age Industrial reserves the right to modify or make changes at any time without notice to materials and specifications.



Distributed by: