

Job: _____

Item: _____

Quantity: _____

99251 | Lug Storage Dolly

One-piece aluminum sheet design with open corners for easy cleaning. Two-inch (2") sides bent upward to contain product.

- Constructed out of .080" aluminum sheet.
- Equipped with four 3" x 1¼" polyolefin swivel casters.
- Lifetime Guarantee against rust and corrosion.
- Five-Year Guarantee against workmanship and material defects.



99251

Model No.	Size W-H-D	With Handle	Ship Lbs.
99251	17" x 6" x 26"	No	13

Four 3" x 1¾" platform type swivel casters (#C410).

Model No.	Size W-H-L	Color	Ship Lbs.
RGY16825	15½" x 8¾" x 25"	gray	4
0361	Lid For #RGY16825	gray	1

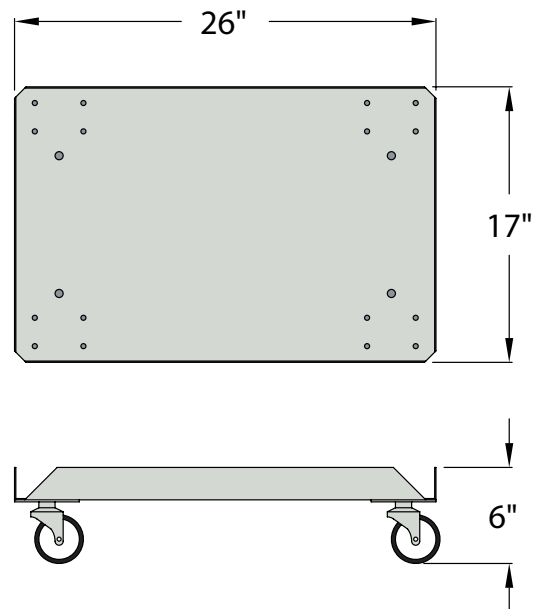
Food Approved Molded Poly • Formed Cross-Stacking Bottom



RGY16825



0361



This information is for general sales and engineering use only. New Age Industrial reserves the right to modify or make changes at any time without notice to materials and specifications.



Distributed by: