

Job: _____

Item: _____

Quantity: _____

98037 - Keg Dolly

Tired of lugging around heavy kegs? The Keg Dolly is just what you need. Heavy-duty, low profile construction is easy to use and easy to maneuver.

MATERIAL

- Base is constructed of 0.125" sheet with four 2 3/4" x 4" x 3/8" caster plates welded into place.
- Base has three lips up and five lips down to hold keg in place and doubles overall strength.
 - *The three lips down make for easy loading and unloading of the kegs.*

CASTERS

- Equipped with four 3" platform type casters for an easy to maneuver design.
- Non-marking wheels protect the floor and minimize noise.

GUARANTEE

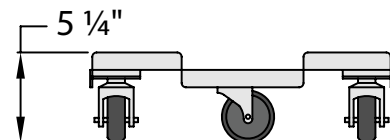
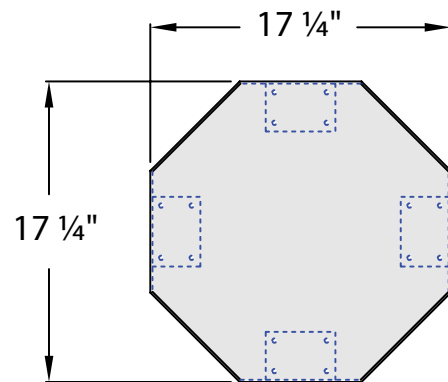
- **Lifetime Guarantee** against rust and corrosion.
- **Five-Year Guarantee** against material defects and workmanship.

NSF Certified.



Model No.	Size W-H-L	Weight Capacity	Ship Lbs.
98037	17 1/4" x 5 1/4" x 17 1/4"	175 lbs.	13

Accommodates 1/4 and 1/2 Barrel Kegs up to 16 3/4" in diameter.
 Four 3" platform type casters (#C410).



This information is for general sales and engineering use only. New Age Industrial reserves the right to modify or make changes at any time without notice to materials and specifications.

Made in the USA

Distributed by: