

Job: _____

Item: _____

Quantity: _____

Cup/Glass Rack Dollies

These dollies are specifically designed to hold 20" x 20" or smaller cup and glass racks.

- The single dolly is constructed with a 1 1/4" x 1 1/4" x .070" wall tube.
- Casters plates are welded onto the framework to support the platform type casters.
- Double and Triple Dollies are constructed with a 1 1/2" x 1 3/4" x .070" wall tube. This adds support for a heavier load.
- All racks have a .080" sheet top with lips turned up to hold the trays in place.

CASTERS:

- Equipped with four 5" platform type swivel casters.
- Double and Triple Dollies come with two 5" platform type swivel caster and two 5" platform type rigid casters.

GUARANTEE:

- Lifetime Guarantee against rust and corrosion.
- Five-Year Guarantee against workmanship and material defects.

NSF Certified.



Model No.	# Of Stacks	Size W-H-D	Wt. Cap.	Ship Lbs.
1176A	Single	20 5/8" x 9 3/8" x 22 3/8"	1000 lbs.	21
1179A	Handle			3.5

Single: Four 5" platform type swivel casters (#C450).

Double & Triple: Four 5" platform type casters;
 - two swivel (#C450), two rigid (#C460).

OPTIONS:

Corner Bumpers (4) -- Add "B" suffix to model #.

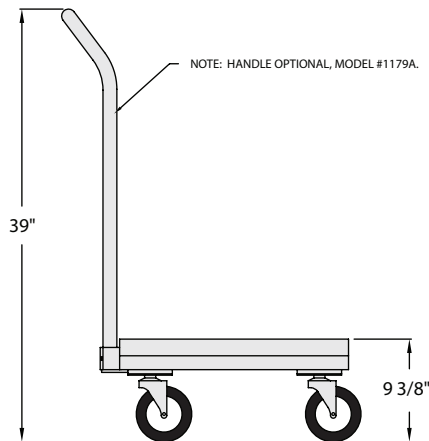
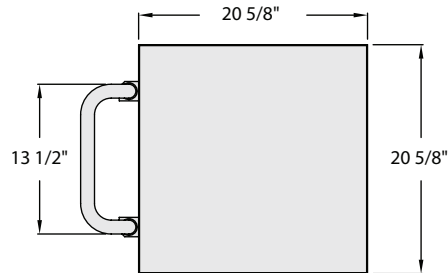
Caster Locks (2) -- Add "CL" suffix to model #.



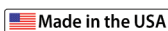
#1176A



#1179A



This information is for general sales and engineering use only. New Age Industrial reserves the right to modify or make changes at any time without notice to materials and specifications.



Distributed by: