

Job: _____

Item: _____

Quantity: _____

97769 - Correctional Duty Utility Cart

Ideal three-shelf unit for various tasks such as serving, bussing and general utility.

Strength and durability of stainless steel at much less the cost.

- Hi-tensile, corrosion resistant, rust proof, primary extruded aluminum, Type 6463-T5 alloy.
- All heli-arc welded with seams welded (no rivets).
- Heavy duty all welded frame construction consists of 1" x 1" x .070 wall extruded aluminum tube.
- Each shelf is constructed of a .080 aluminum sheet with three 1 1/4" lips (full 1 1/4" hem) up and one full 1 1/4" hemmed lip down.
- Constructed of 1/4" x 1 1/2" aluminum strap welded to the frame uprights with round tube handle bolted in place.
- Four 5" diameter platform type casters with non-marking wheels; two swivel, two rigid.

Lifetime Guarantee against rust and corrosion.

Five-Year Guarantee against material defects and workmanship.

NSF Certified.



Model No.	Size W-H-D	Shelf Size	Shelf Spacing	Wt. Cap.	Ship Lbs.
97769	18 1/2" x 39" x 32 1/2"	18 1/2" x 28 3/4"	14 1/2"	550#	45

Four 5" plate type casters: two swivel (#C450) two rigid (#C460) with tamper proof fasteners.
Three tier solid shelf unit: each shelf with three sides up 1 1/4" and one side down 1 1/4".

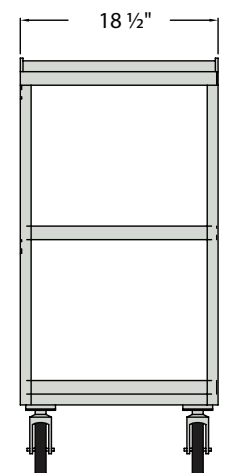
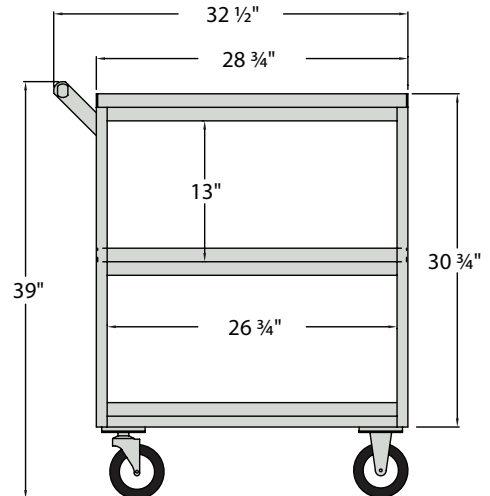
Options:

"B", "CL(B)", "VB" — see page 69 for details.

Corner Bumpers - Add "B" suffix to model #.

Caster Locks (2) - Add "CL" suffix to model #.

Vertical Bumpers (4) - Add "VB" suffix to model #.



This information is for general sales and engineering use only. New Age Industrial reserves the right to modify or make changes at any time without notice to materials and specifications.

