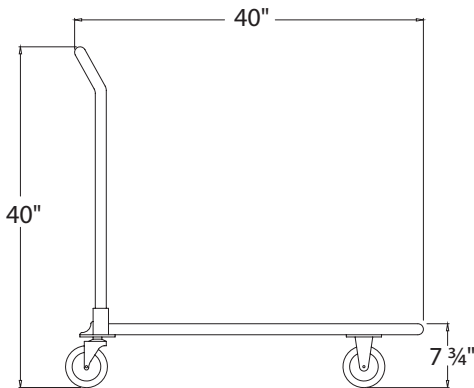
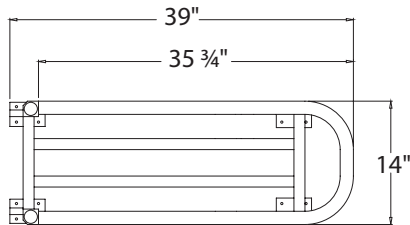


Project: _____

Item: _____

Quantity: _____

Low Boy Stock Cart



These carts are specially designed for transporting heavy loads from the backroom to the floor. Rounded front helps protect walls and displays.

- Framework is constructed out of 1½" x 1½" x .070" wall tubing.
- Handle is constructed out of 1½" diameter pipe.
- Model #1183 comes equipped with four 5" platform type swivel casters and two 6" platform type rigid casters.
- Model #1184 comes equipped with four 5" platform type casters, two swivel and two rigid.
- Five-Year Guarantee against material defects and workmanship.
- Lifetime Guarantee against rust and corrosion.
- NSF Certified.

► Low Boy Stock Cart

Model No.	Size W-H-L	Weight Capacity	Deck Height	# Of Casters	Ship Lbs.
1183	16" x 41" x 54"	1000 lbs.	9½"	6	40.5
1184	14" x 40" x 39"	1000 lbs.	7¾"	4	23

Model #1183: four 5" swivel (#C450) two 6" rigid (#C518) platform type casters.

Model #1184: two 5" swivel (#C450) two rigid (#C460) platform type casters.

Each Unit Has A Removable Handle.



New Age Industrial Corp., Inc. || NewAgeIndustrial.com || Made in the USA

PO Box 520 • 16788 US Hwy 36 • Norton, Kansas 67654 || Phone: (800) 255-0104 • (785) 877-5121 || Fax: (877)-877-7687 • (785) 877-2616

This information is for general sales and engineering use only. New Age Industrial reserves the right to modify or make changes at any time, without notice, to materials and specifications.