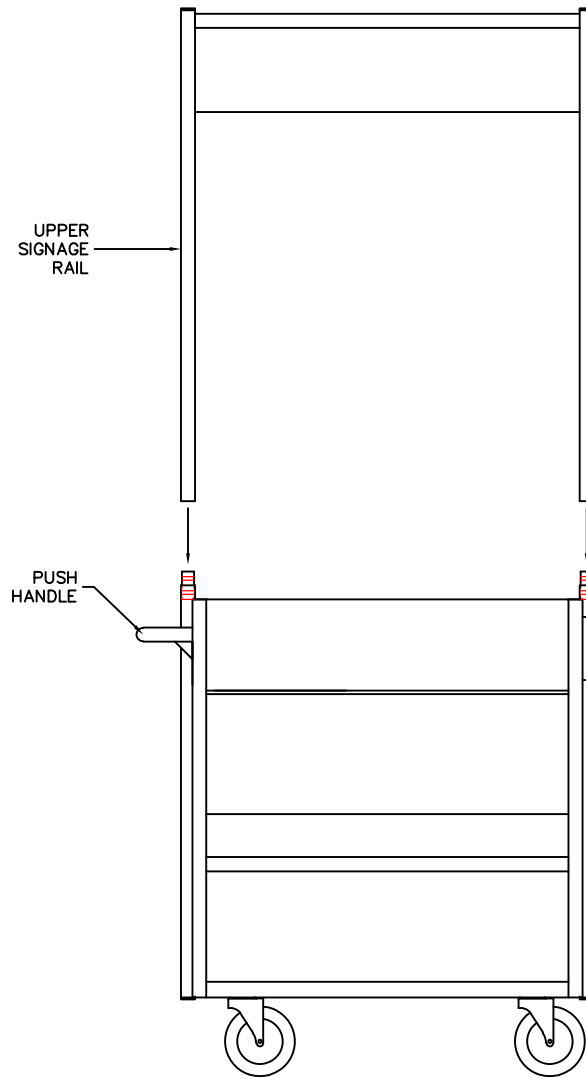
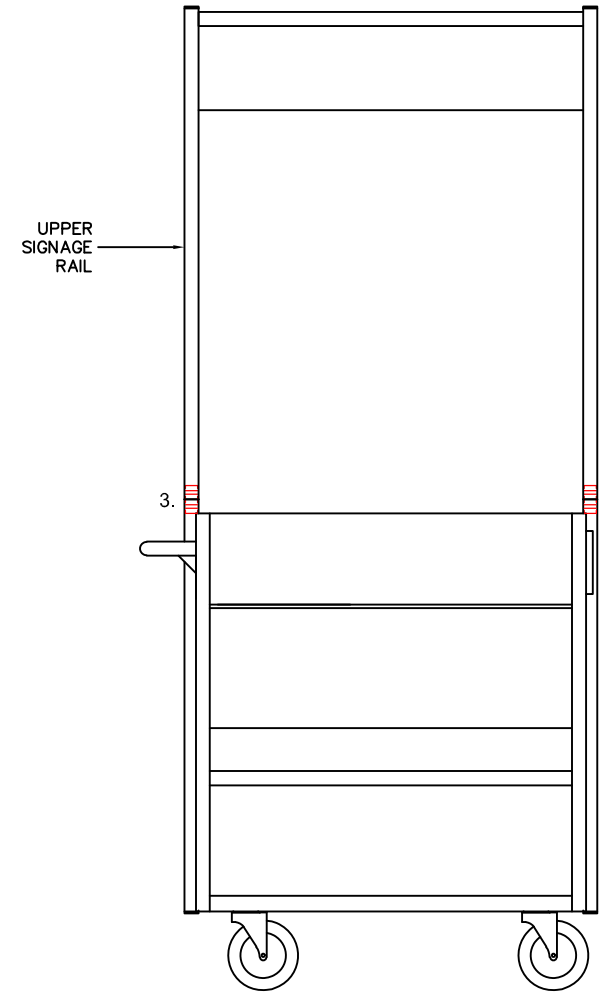


SIDE VIEW



FRONT VIEW



FRONT VIEW

INSTALLATION INSTRUCTIONS

1. REMOVE HARDWARE FROM TOP HOLE ON INSERTS
2. INSTALL UPPER SIGNAGE RAIL OVER INSERTS
3. SECURE UPPER SIGNAGE RAIL TO INSERTS USING HARDWARE FROM STEP 1

REVISIONS
NOTICE: CUSTOM ITEMS ARE NOT RETURNABLE, VERIFY DIMENSIONS CAREFULLY!

  
**1-800-255-0104**

SUB. DIR.	MODEL #:52861	DATE: 7/30/19
	TITLE: SCHOOL SHARE CART BASE MODEL	
2019	FILE NAME:G:\Users\Engr\Cad Drawings\2019\52861	
	DRAWN BY: DHC	