

Job: \_\_\_\_\_

Item: \_\_\_\_\_

Quantity: \_\_\_\_\_

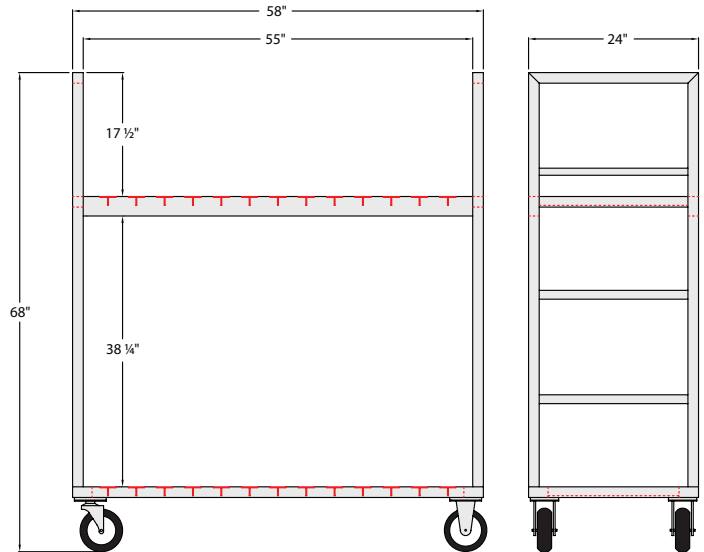
## Uni-T Truck

These trucks are designed for heavy loads up to 2000lbs. Ideal for use in coolers, freezers, and dry storage.

- Framework is constructed mostly of 1 1/2" x 1 1/2" x .070" wall tubing.
- Base is constructed of 1 1/2" x 2 3/4" x .070" wall tubing.
- Shelves are constructed of 1 1/4" x 2 1/4" x .100" wall T-Bar.
- Model #1430 comes with four 6" x 2" platform type casters, two swivel and two rigid.
- Model #1431 comes with four 8" x 2" platform type casters, two swivel and two rigid.
- Five-Year Guarantee against material defects and workmanship.
- Lifetime Guarantee against rust and corrosion.
- NSF Certified.



1430



1430

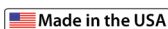
Model No	Size D-H-L	Wheel Size	Shelf Spacing	Ship Lbs.
1430	24" x 68" x 58"	6"	38 1/4"	92
1431	24" x 70" x 58"	8"	38 1/4"	114

Model #1430: Four 6" x 2" casters, two swivel (#C490), two rigid (#C500).  
 Model #1431: Four 8" x 2" casters, two swivel (#C526), two rigid (#C527).

**Options:**

"B", #1430=CL(C), #1431=CL(E) "PB", & "VB" -- see catalog.

*This information is for general sales and engineering use only. New Age Industrial reserves the right to modify or make changes at any time without notice to materials and specifications.*



Distributed by: